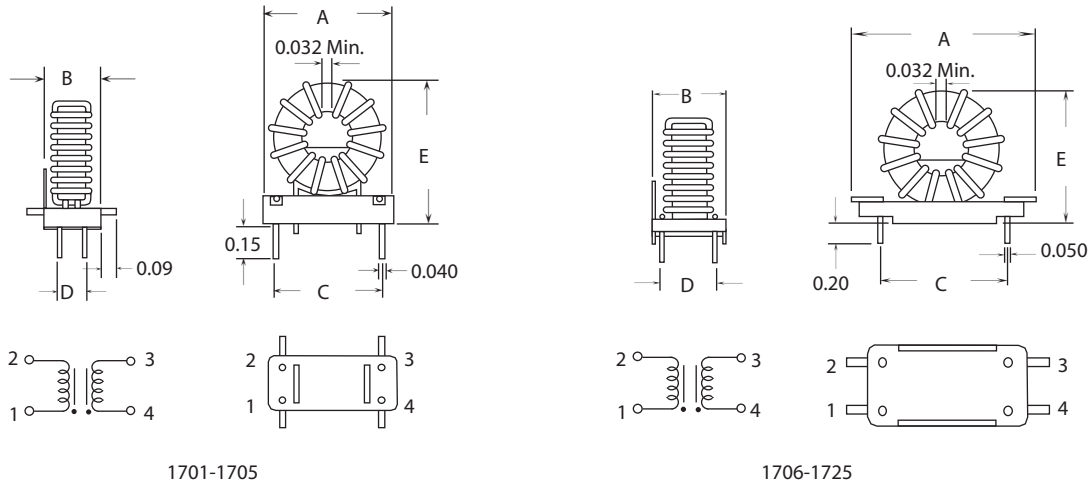


Mechanical Specification



Dimensions: Inches

Special Features

- Dual windings
- Low radiation
- High current capacity
- High inductance
- Dielectric strength 1000VRMS
- Mounted on VW-1 rated header
- Fixed pins for easy PCB insertion
- Operating temperature -55°C to +105°C

Electrical Specification

VV-1700 SERIES

Part Number	L(μH) ±15% @1KHz	Idc (A)	L(μH) ±15% @I rated	DCR (Ω) Max.	Dim A Max.	Dim B Max.	Dim C ±0.015	Dim D ±0.015	Dim E Max.
VV-1701	2.5	11.0	1.25	0.004	0.875	0.425	0.600	0.250	1.00
VV-1702	6.0	5.50	3.0	0.007	0.875	0.425	0.600	0.250	1.00
VV-1703	31.25	2.75	17.5	0.060	0.875	0.425	0.600	0.250	1.00
VV-1704	68.75	2.00	37.5	0.120	0.875	0.425	0.600	0.250	1.00
VV-1705	112.5	1.50	62.5	0.245	0.875	0.425	0.600	0.250	1.00
VV-1706	6.25	9.00	3.75	0.006	1.125	0.600	0.800	0.400	1.25
VV-1707	18.75	5.00	10	0.020	1.125	0.600	0.800	0.400	1.25
VV-1708	100	2.25	56.25	0.165	1.125	0.600	0.800	0.400	1.25
VV-1709	200	1.75	118.75	0.320	1.125	0.600	0.800	0.400	1.25
VV-1710	250	1.50	143.75	0.470	1.125	0.600	0.800	0.400	1.25
VV-1711	12.5	9.50	6.25	0.006	1.120	0.800	0.900	0.600	1.375
VV-1712	37.5	4.75	21.25	0.023	1.120	0.800	0.900	0.600	1.375



continued from previous page

VV-1700 SERIES

Part Number	L(μH) ±15% @1KHz	Idc (A)	L(μH) ±15% @I rated	DCR (Ω) Max.	Dim A Max.	Dim B Max.	Dim C ±0.015	Dim D ±0.015	Dim E Max.
VV-1713	175	2.25	100	0.210	1.120	0.800	0.900	0.600	1.375
VV-1714	312.5	1.75	187.5	0.430	1.120	0.800	0.900	0.600	1.375
VV-1715	400	1.50	237.5	0.640	1.120	0.800	0.900	0.600	1.375
VV-1716	31.25	7.75	16.25	0.016	1.812	0.900	1.20	0.700	1.95
VV-1717	125	4.00	68.75	0.075	1.812	0.900	1.20	0.700	1.95
VV-1718	275	2.50	162.5	0.165	1.812	0.900	1.20	0.700	1.95
VV-1719	562.5	1.75	281.25	0.460	1.812	0.900	1.20	0.700	1.95
VV-1720	1125	1.25	562.5	1.320	1.812	0.900	1.20	0.700	1.95
VV-1721	62.5	8.00	31.75	0.021	2.125	1.10	1.50	0.900	2.25
VV-1722	225	3.75	125	0.088	2.125	1.10	1.50	0.900	2.25
VV-1723	450	2.50	250	0.240	2.125	1.10	1.50	0.900	2.25
VV-1724	1000	1.75	525	0.580	2.125	1.10	1.50	0.900	2.25
VV-1725	2000	1.00	1125	1.670	2.125	1.10	1.50	0.900	2.25